

SAFETY GUIDE

WARNING - Before using, read these user's manuals of this product to ensure correct usage through understanding. After reading, store them in a safe place for future reference. Incorrect handling of this product could possibly result in personal injury or physical damage. The manufacturer assumes no responsibility for any damage caused by mishandling that is beyond normal usage defined in these manuals of this product.

- You will be using sharp tools. Always use personal protective equipment such as gloves and safety glasses to avoid the risk of injury.
- Make sure the floor you step on is dry, free from any liquids such as oil and water when assembling this product. Use anti-slip shoes to avoid falling due to slips.
- Keep this product out of reach of electric current, as this product is made of metal that conducts electricity.
- Make sure there is adequate lighting when doing the assembly. When assembling keep it away from children and pets.
- Please note, that whether you are cleaning manually or semi-automatically all solid waste must be removed with a scoop and spot washed with the cordless power washer prior to cleaning.

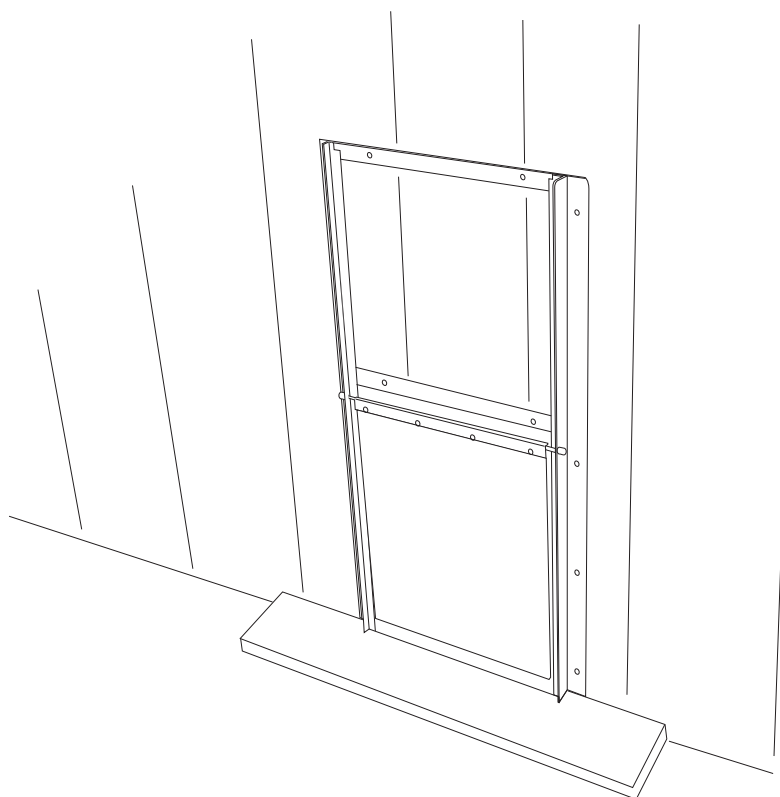
EQUIPMENT FOR ASSEMBLE

Not included in the item package.

- Safety transparent glass (if there any)
- Safety Gloves and Safety Shoes
- Electrical Hand Drill
- Handsaw / Electrical handsaw

It is recommended that you have knowledge of assembly are helpfull.

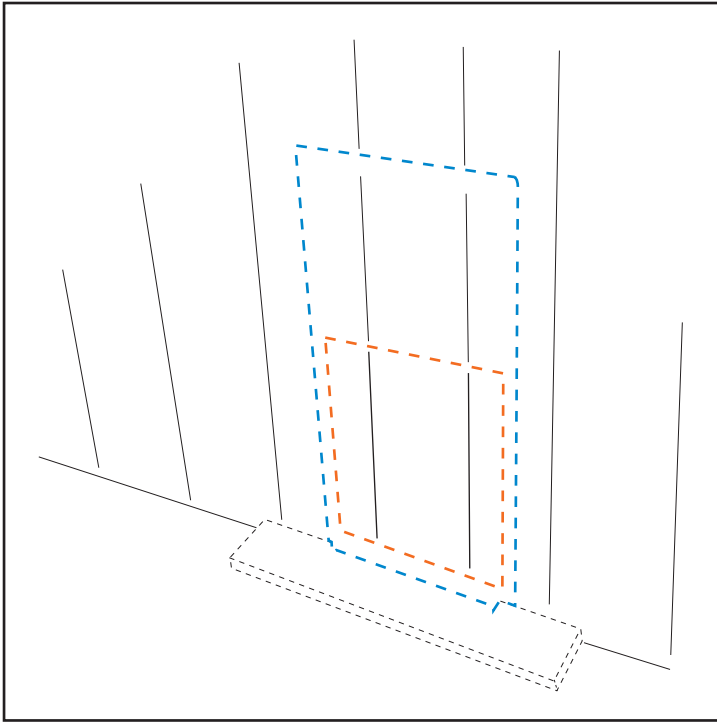
SAFETY PRECAUTION



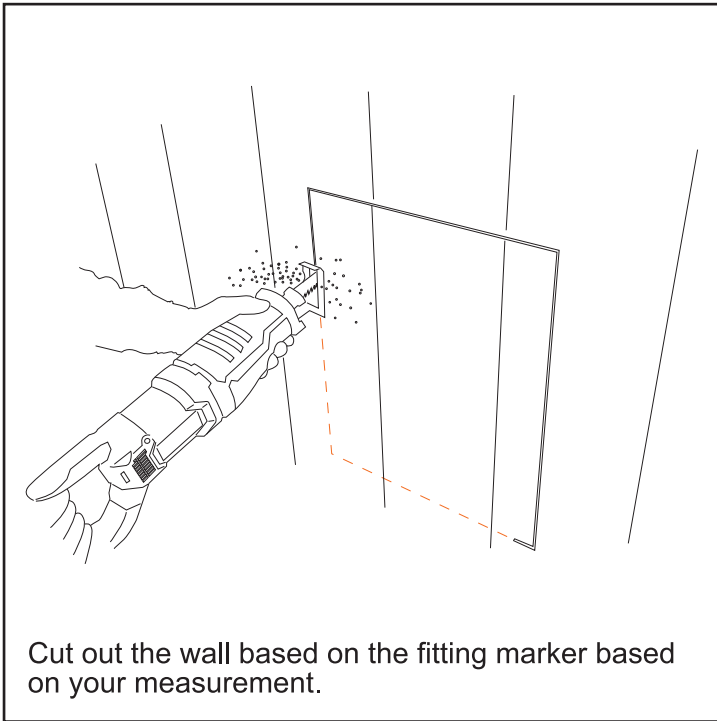
K9 KENNEL STORE

833 West 27th Street Ogden, Ut 84401
 Phone : (801) 621-4024 Fax :(801) 621-4353
 E-Mail : k9kennelsstore@gmail.com

PREPARATION

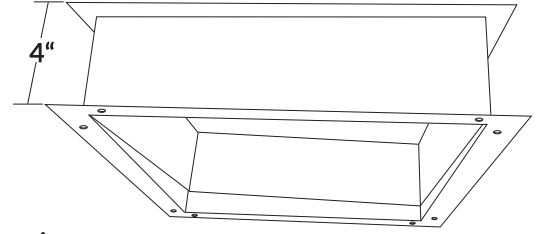


Create cutout pattern on the wall so the units can be installed precisely.

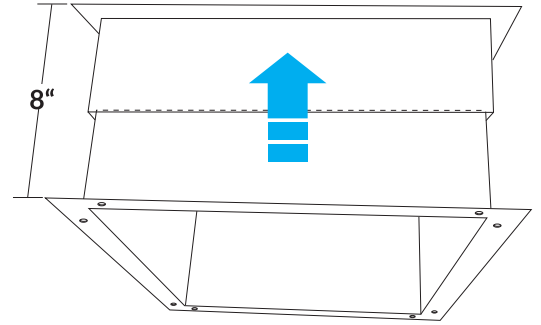


Cut out the wall based on the fitting marker based on your measurement.

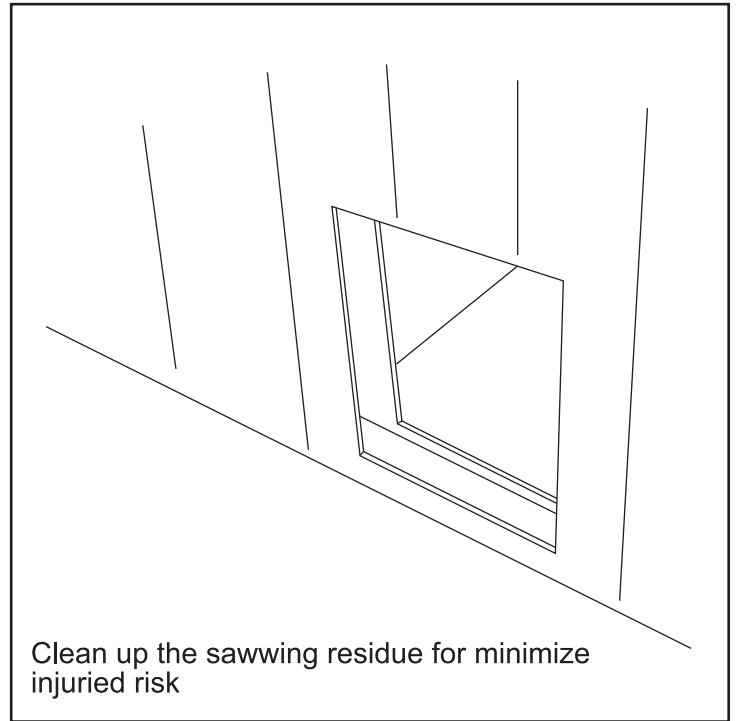
● Minimum thickness



● Maximum thickness

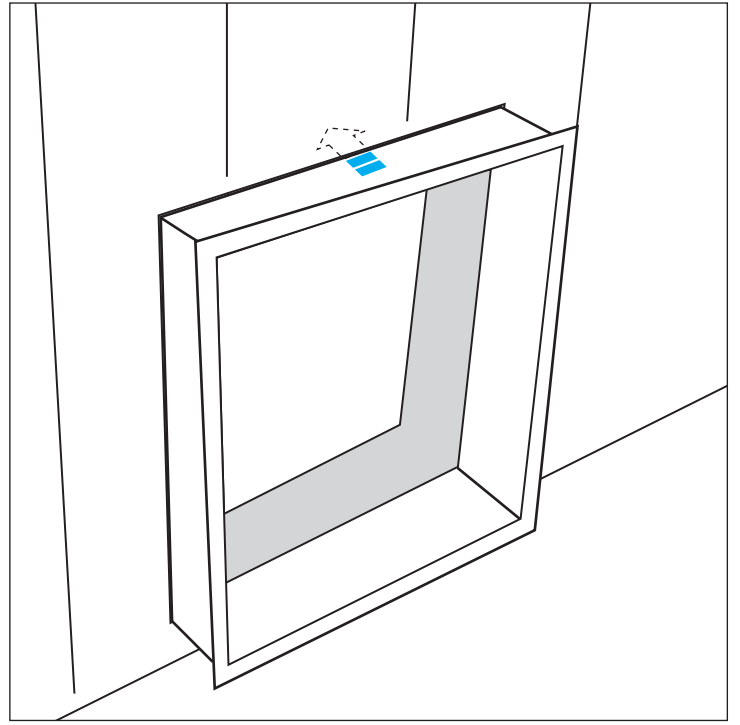
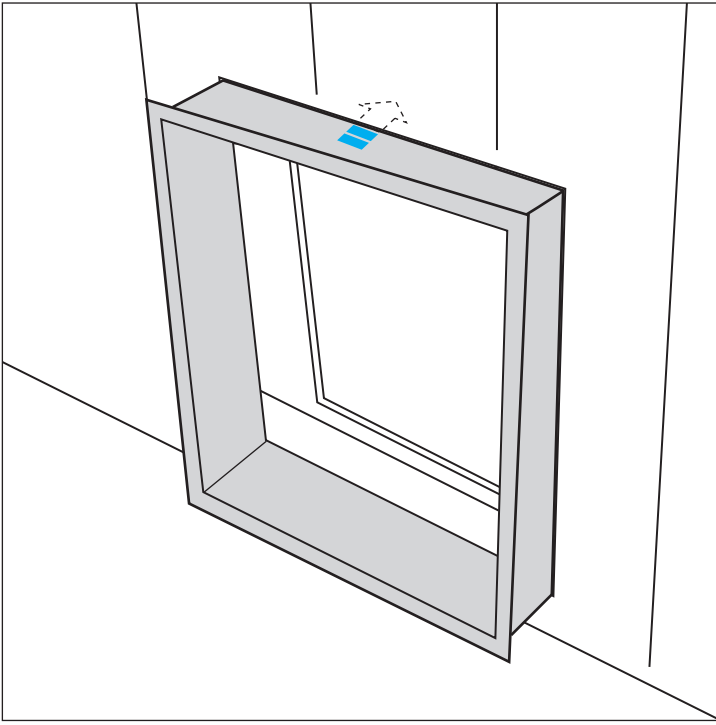


The hollow have maximum thicknes so you can adjust based on your needs.

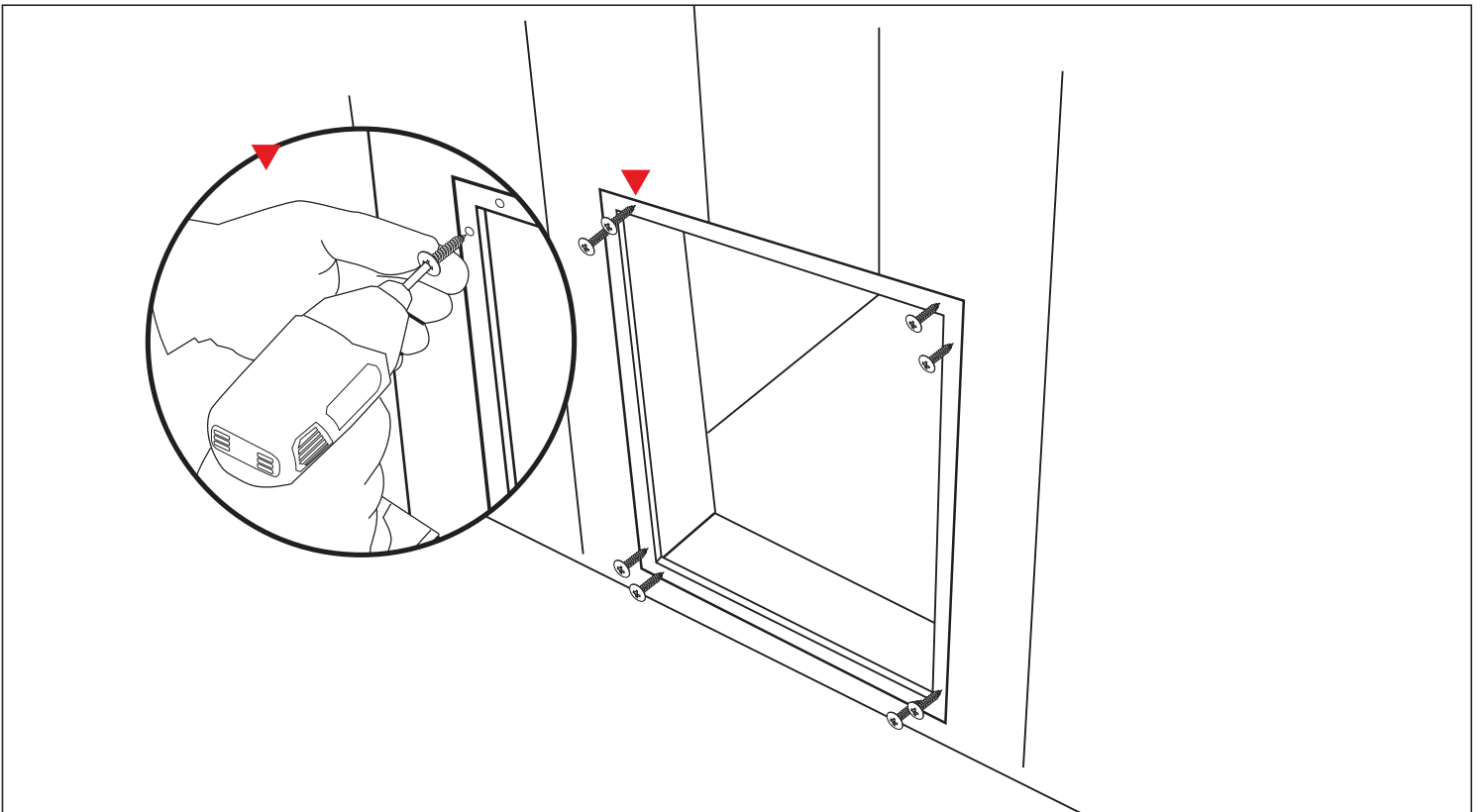


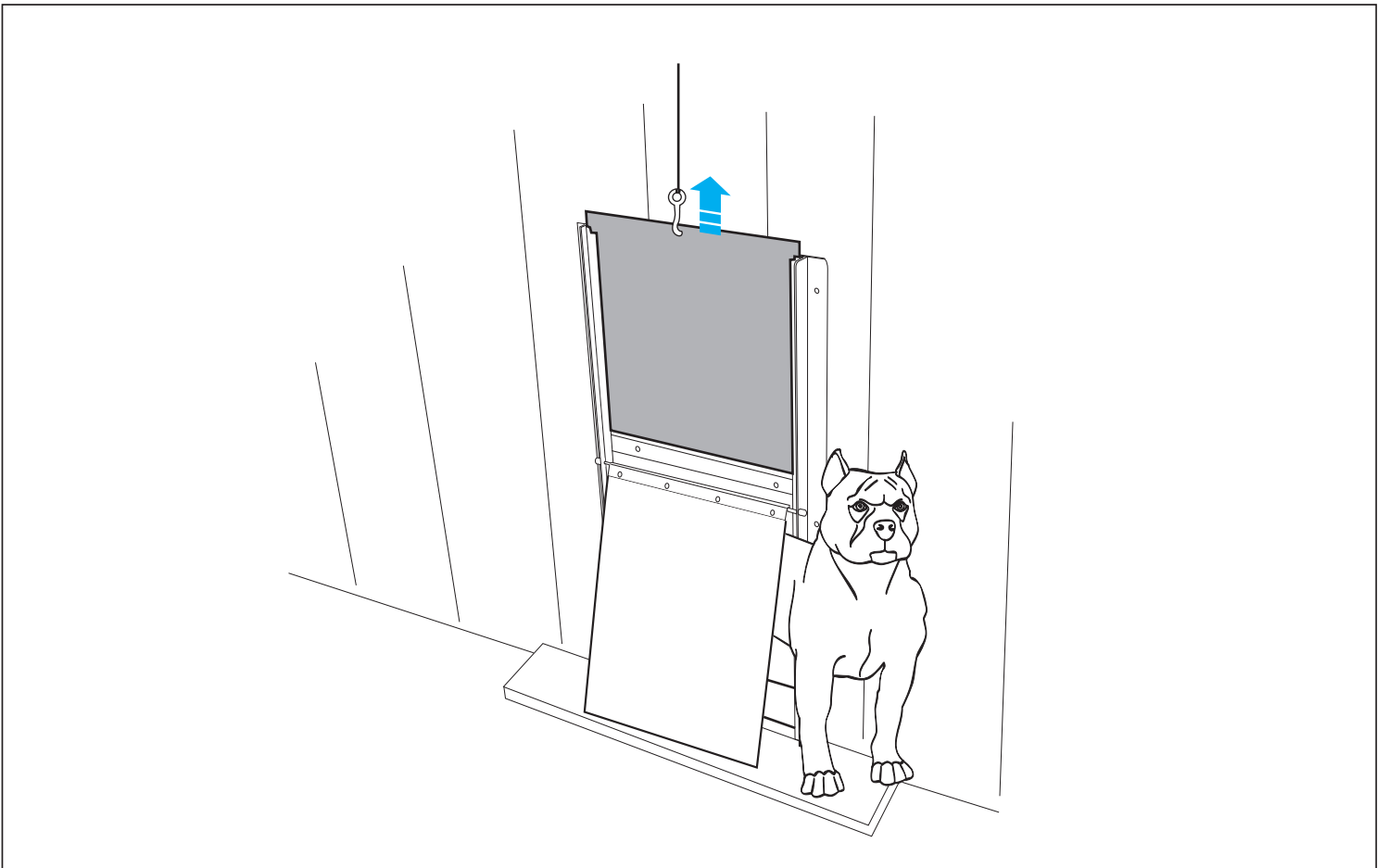
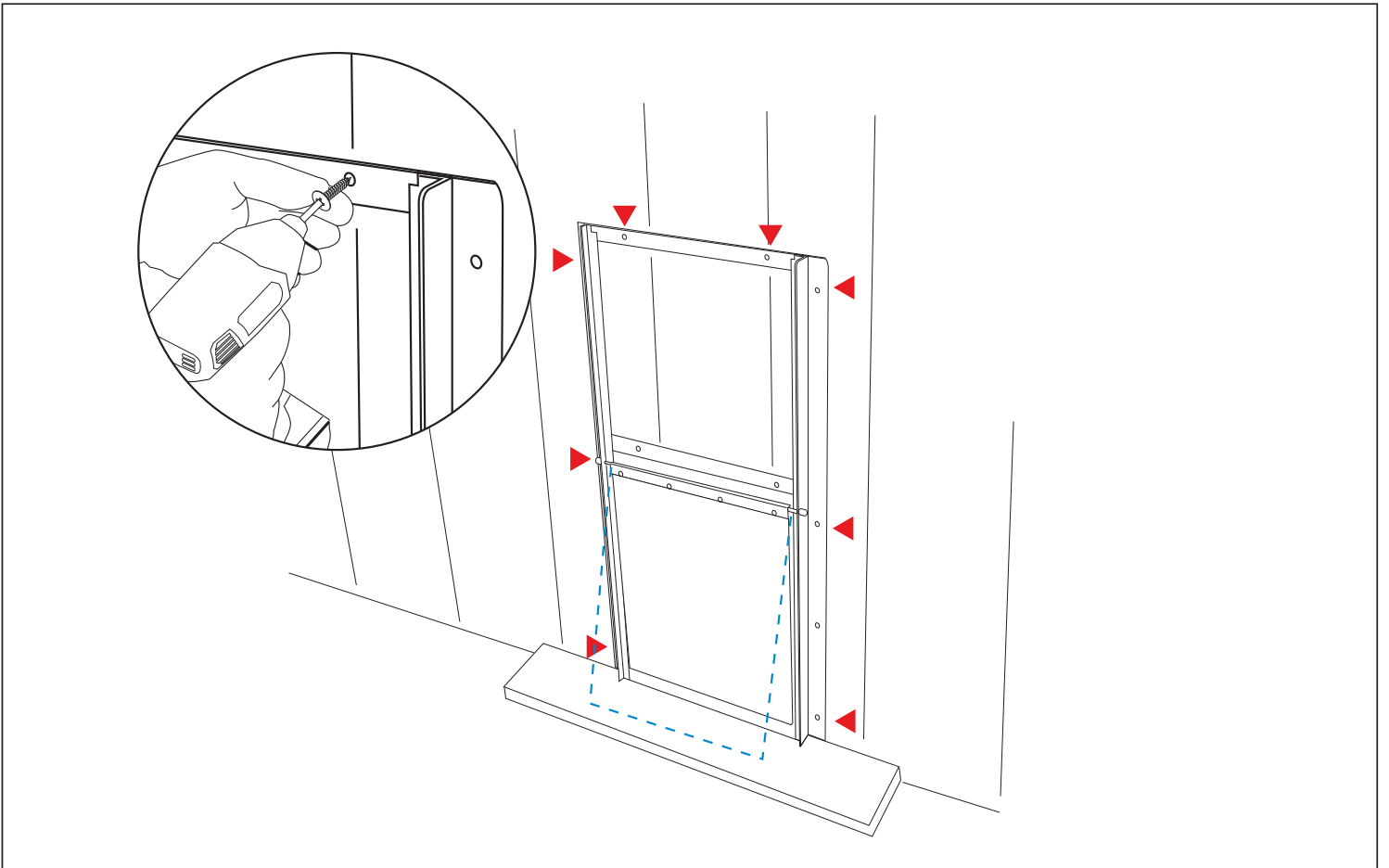
Clean up the sawwing residue for minimize injured risk

ASSEMBLING



Insert the hollow plate on both side





Thank You